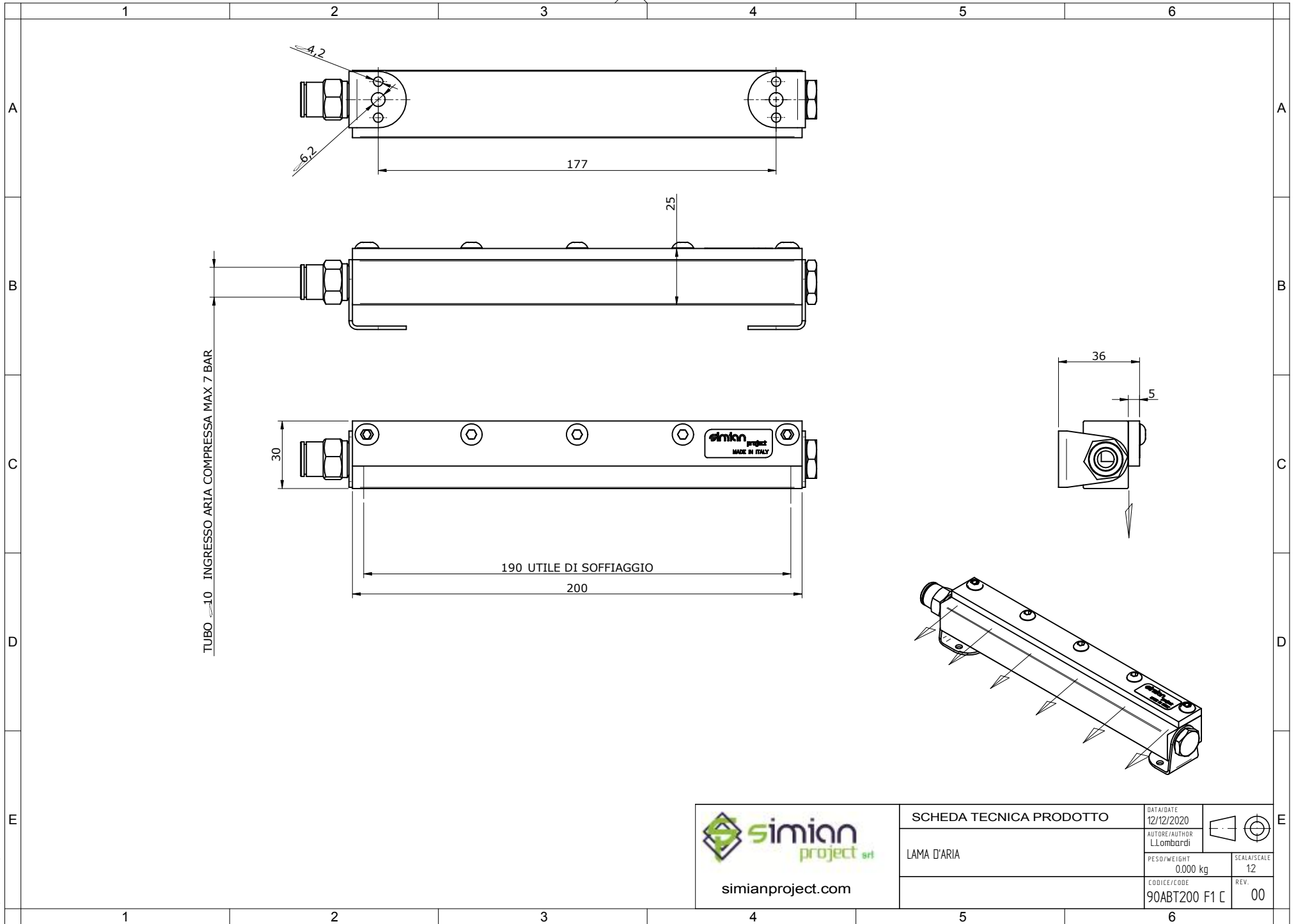


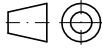
CONFIDENTIAL - NOT TO BE DISCLOSED



A3 (420x297)



simianproject.com

| | | | | |
|-------------------------|--|---------------|---------------|---------------------------------------------------------------------------------------|
| SCHEDA TECNICA PRODOTTO | | DATA/DATE | 12/12/2020 |  |
| LAMA D'ARIA | | AUTORE/AUTHOR | L.Lombardi | |
| | | PESO/WEIGHT | 0.000 kg | SCALA/SCALE |
| | | CODICE/CODE | 90ABT200 F1 C | REV. |
| | | | | 12 |
| | | | | 00 |