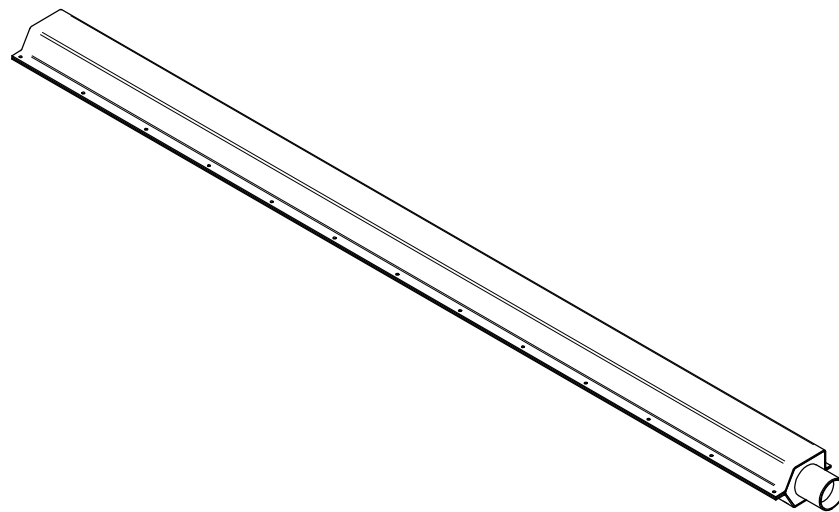
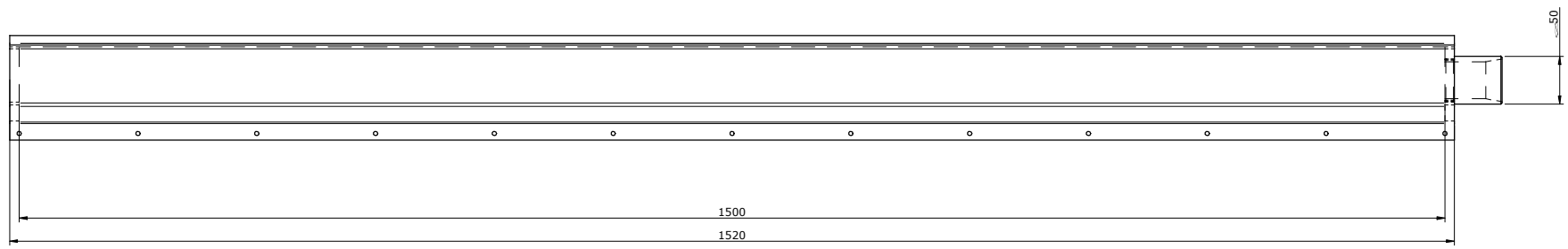
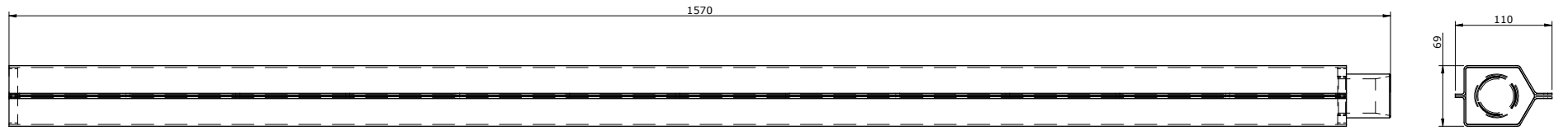


CONFIDENTIAL - NOT TO BE DISCLOSED

A2 (694x420)



FILETTATURE / THREADS 6H / 6g	TOLLERANZE/GENERAL TOLERANCES - UNI EN22768-2-FH			
	LINEAR DIMENSIONS		ANGULAR DIMENSIONS	
SMUSSI / CHAMFERS 0.3 x 45° MAX	0.5 - 6 ±0.05	6 - 30 ±0.10	30 - 100 ±0.15	100-400 ±0.20
	0 - 10 ±1°	10 - 50 ±0°'30"	50-100 ±0°'20"	
MATERIALE / MATERIAL			DATA/DATE 22/11/19	
TRATT. TERMICO/ HEAT TREATMENT -			AUTORE/ AUTHOR L.Lombardi	
TRATT. SUPERFICIALE/SURFACE TREATMENT -			PESO/WEIGHT 0.000 kg	SCALA/SCALE 1:5
DESCRIZIONE / DESCRIPTION LAMA D'ARIA ABZ L=1500			CODICE/ CODE 90ABZ1500	REV. 00