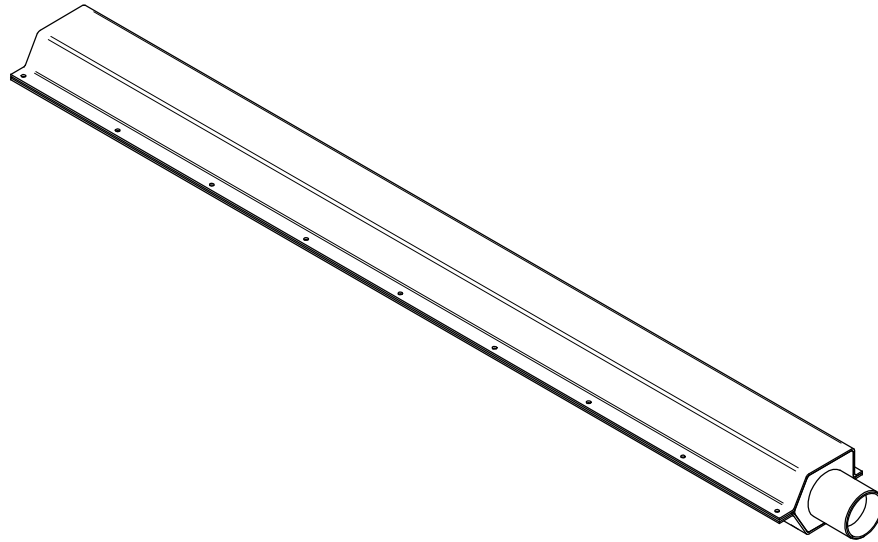
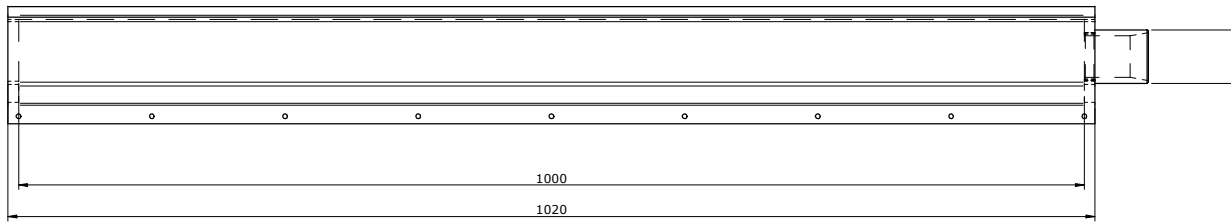
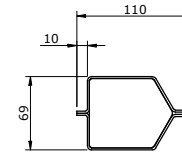
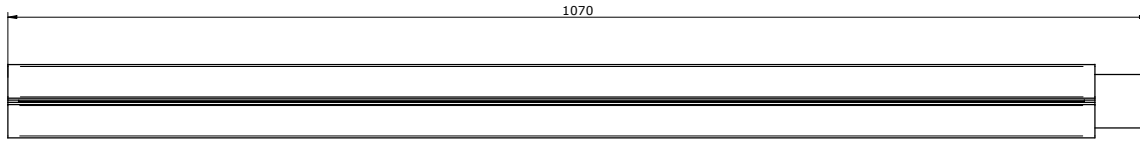
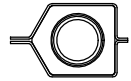


CONFIDENTIAL - NOT TO BE DISCLOSED



-0-	-	00/00/00																		
Indice	RevM	Data appr.	Appr. da	Descrizione																
FILETTATURE / THREADS		TOLLERANZE/GENERAL TOLERANCES - UNI EN22768-2-FH																		
6H / 6g		LINEAR DIMENSIONS						ANGULAR DIMENSIONS												
SMUSSI / CHAMFERS		0.5 - 6	6 - 30	30 - 100	100 - 400	0 - 10	10 - 50	50 - 100												
0.3 x 45° MAX		±0.05	±0.10	±0.15	±0.20	±1°	±0°'30"	±0°'20"												
MATERIALE / MATERIAL												DATA/DATE								
TRATT. TERMICO/ HEAT TREATMENT												22/11/19								
TRATT. SUPERFICIALE/SURFACE TREATMENT												AUTORE/AUT/PRO		Lombardi						
DESCRIZIONE / DESCRIPTION												PESO/WEIGHT		0.000 kg		SCALASCALE		12		
LAMA D'ARIA IABIZE 580												CODICE/COE		90ABZ 1000		REV.		00		