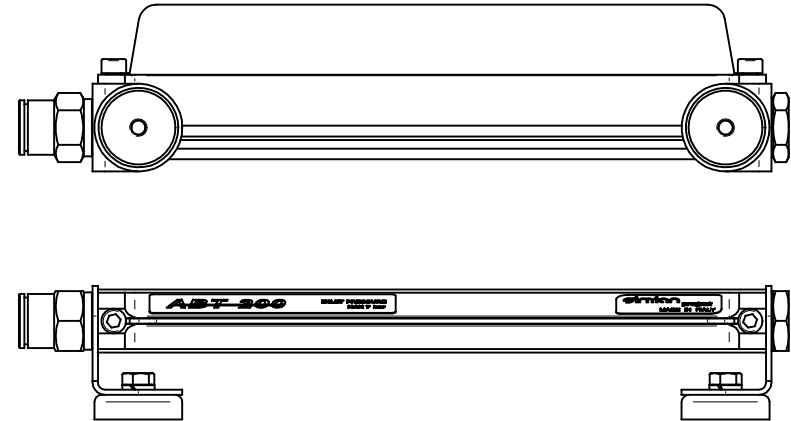
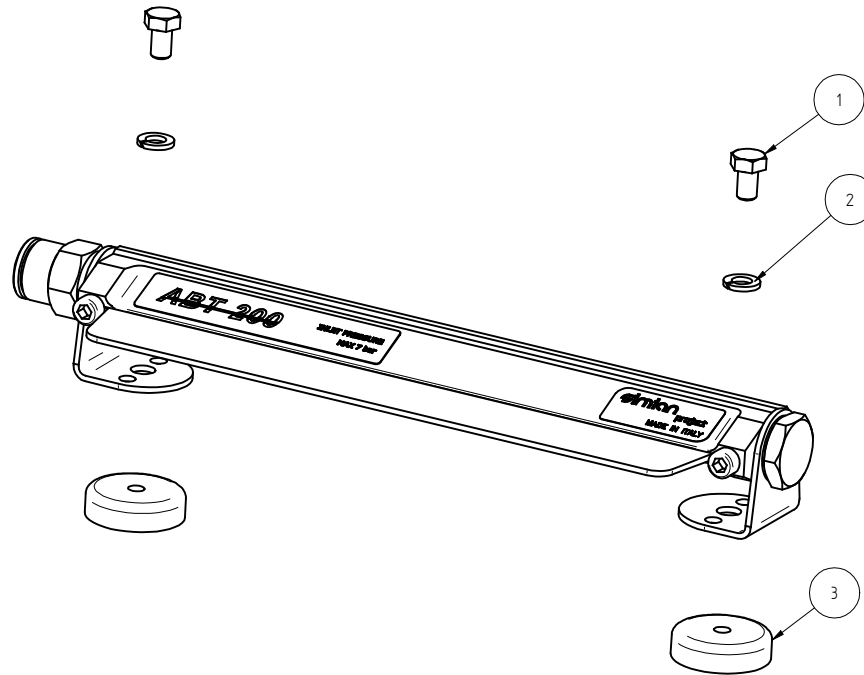

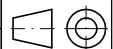


KACM-ABT200 kit accessorio magnete per ABT200



Pos	Descrizione	Q.tà
1	TE M5x08	2
2	RONDELLA GROWER di=5.1 UNI 1751	2
3	MAGNETE ITN-25	2

-0-	-	00/00/00							
Indice	RdM	Data appr.	Appr. da	Descrizione					
FILETTATURE / THREADS		TOLLERANZE/GENERAL TOLERANCES : UNI EN22768-2-FH							
6H / 6g		LINEAR DIMENSIONS				ANGULAR DIMENSIONS			
SMUSSI / CHAMFERS		0.5 - 6	6 - 30	30 - 120	120-400	0 - 10	10 - 50	50-120	
0.3 x 45° MAX		±0.05	±0.10	±0.15	±0.20	±1°	±0°30'	±0°20'	
 simianproject.com		MATERIALE / MATERIAL			DATA/DATE				
		TRATT. TERMICO/ HEAT TREATMENT			26/11/2014		AUTORE/AUTHOR		
		TRATT. SUPERFICIALE/SURFACE TREATMENT			PESO/WEIGHT		SCALA/SCALE		
					0.000 kg		10:1		
		DESCRIZIONE / DESCRIPTION			CODICE/CODE		REV.		
		KIT ACCESSORIO MAGNETE PER ABT200			KACM-ABT200		00		